

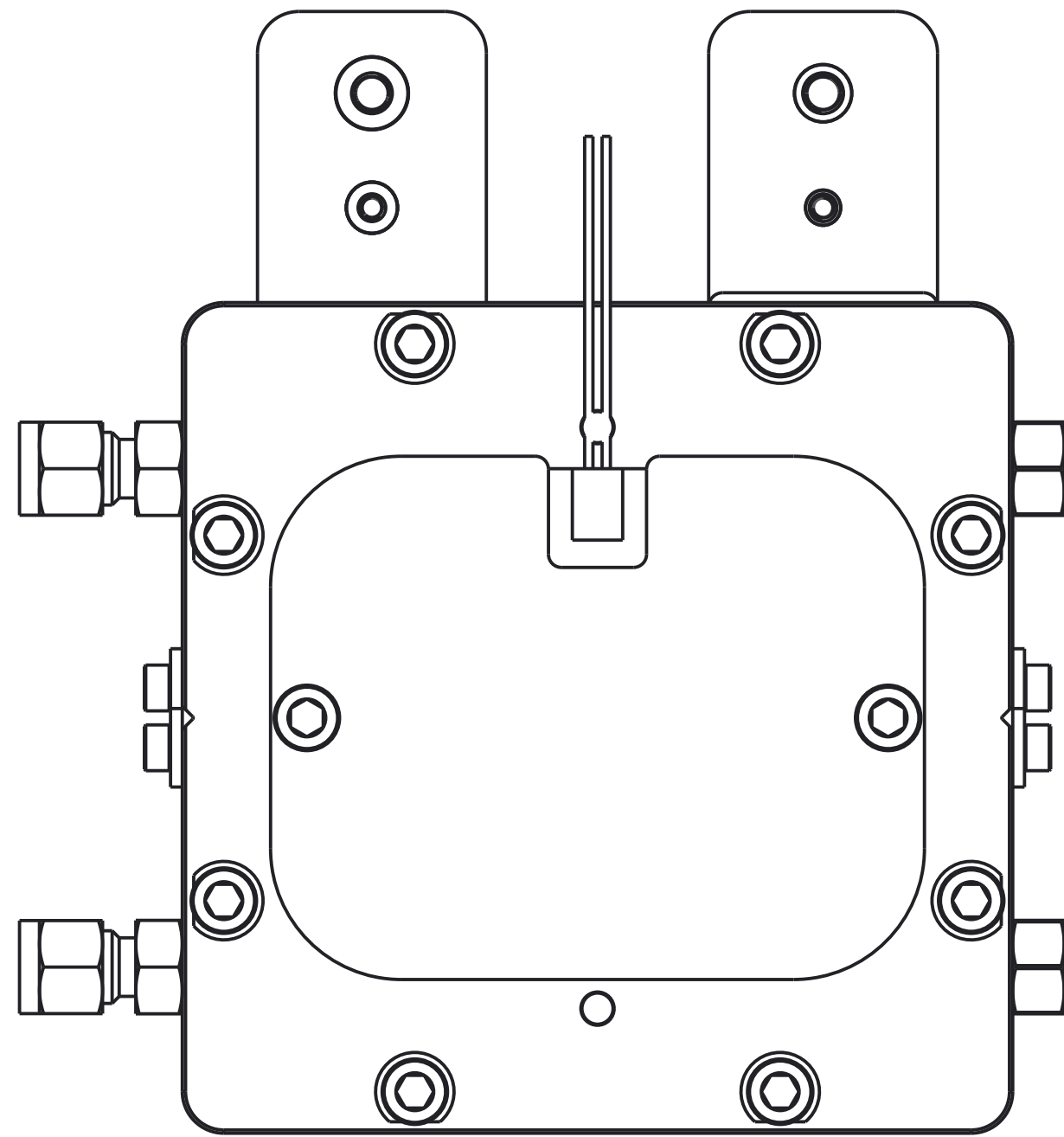
4

3

2

1

REVISION HISTORY			
REV	DESCRIPTION	DATE	BLOCK



SCALE 1.000

Positive Bus Connection

Positive Sense Connection

Anode Inlet

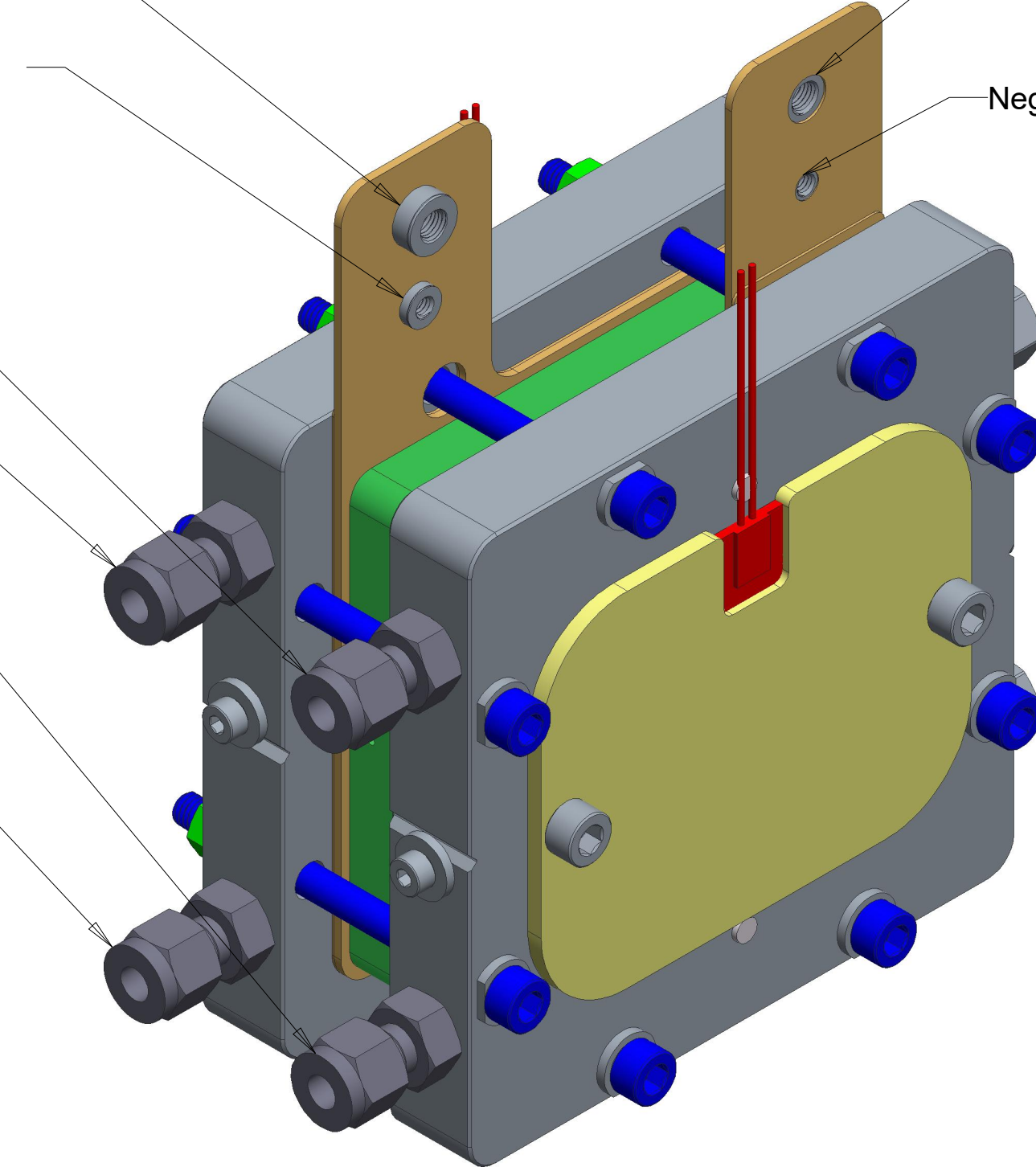
Cathode Inlet

Anode Outlet

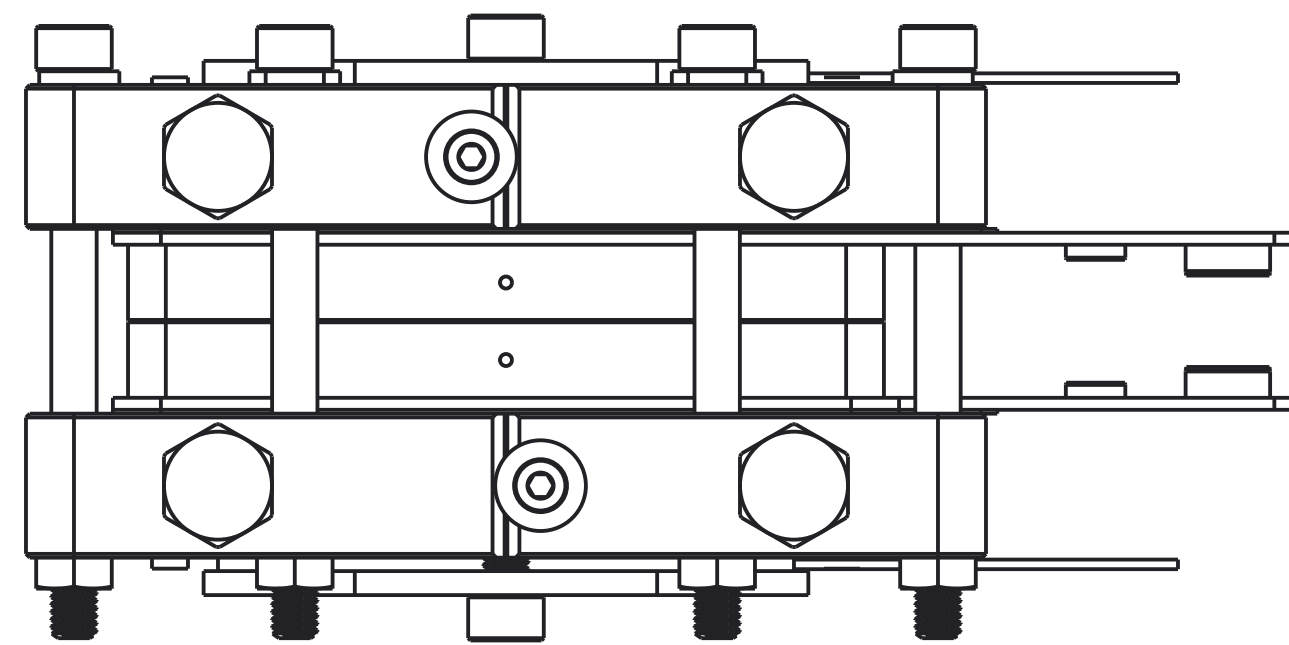
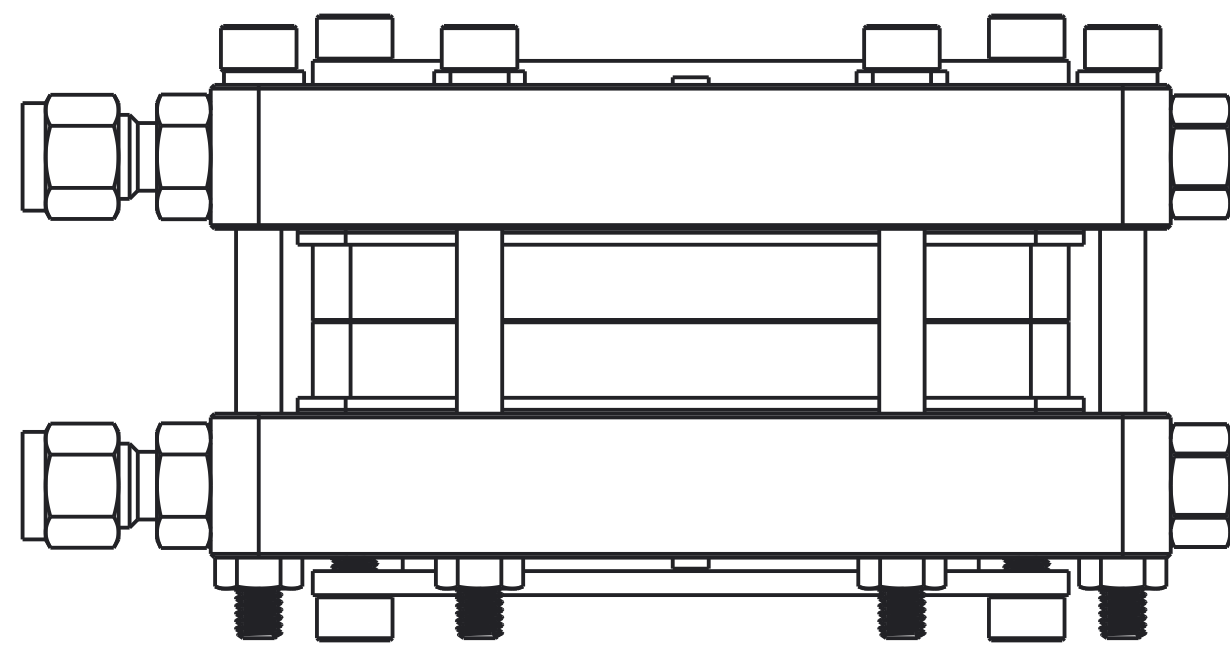
Cathode Outlet

Negative Bus Connection

Negative Sense Connection



SCALE 1.000



INSULATION JACKET INCLUDED BUT NOT SHOWN

UNLESS OTHERWISE SPECIFIED DIMENSIONS ARE mm DECIMALS X ± .5 X ± .1 XX ± .05 ANGLES ± .5	Ludlow Electrochemical Hardware 588 Queensbury Ave., Bldg 3 Queensbury, NY 12804 518-368-2371		
	TITLE 50cm2 Cell Assembly		
DRAWN BY -	SIZE C	PART # 50-003	REV -
DRAWN DATE 9/26/23	SCALE 1.000	SHEET 1 OF 2	

4

3

2

1

4

3

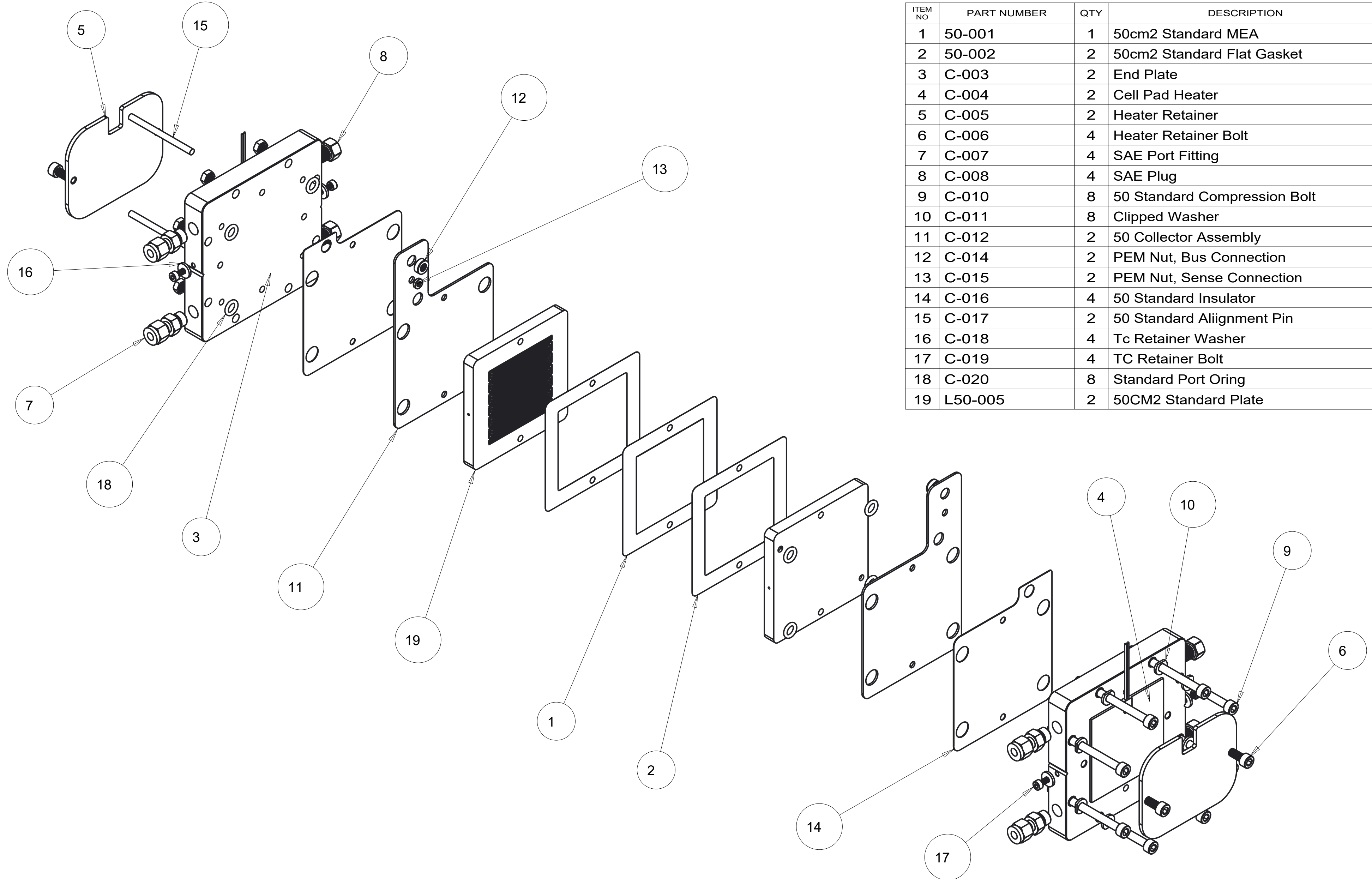
2

1

REVISION HISTORY

REV	DESCRIPTION	DATE	BLOCK
-----	-------------	------	-------

ITEM NO	PART NUMBER	QTY	DESCRIPTION
1	50-001	1	50cm2 Standard MEA
2	50-002	2	50cm2 Standard Flat Gasket
3	C-003	2	End Plate
4	C-004	2	Cell Pad Heater
5	C-005	2	Heater Retainer
6	C-006	4	Heater Retainer Bolt
7	C-007	4	SAE Port Fitting
8	C-008	4	SAE Plug
9	C-010	8	50 Standard Compression Bolt
10	C-011	8	Clipped Washer
11	C-012	2	50 Collector Assembly
12	C-014	2	PEM Nut, Bus Connection
13	C-015	2	PEM Nut, Sense Connection
14	C-016	4	50 Standard Insulator
15	C-017	2	50 Standard Alignment Pin
16	C-018	4	Tc Retainer Washer
17	C-019	4	TC Retainer Bolt
18	C-020	8	Standard Port Oring
19	L50-005	2	50CM2 Standard Plate



UNLESS OTHERWISE SPECIFIED DIMENSIONS ARE mm DECIMALS X ± .5 X ± .1 XX ± .05 ANGLES ± .5	Ludlow Electrochemical Hardware 588 Queensbury Ave., Bldg 3 Queensbury, NY 12804 518-368-2371		
	TITLE 50cm2 Cell Assembly		
DRAWN BY DRAWN DATE 9/26/23	SIZE C SCALE 1.000	PART # 50-003	REV - SHEET 2 OF 2

4

3

2

1