

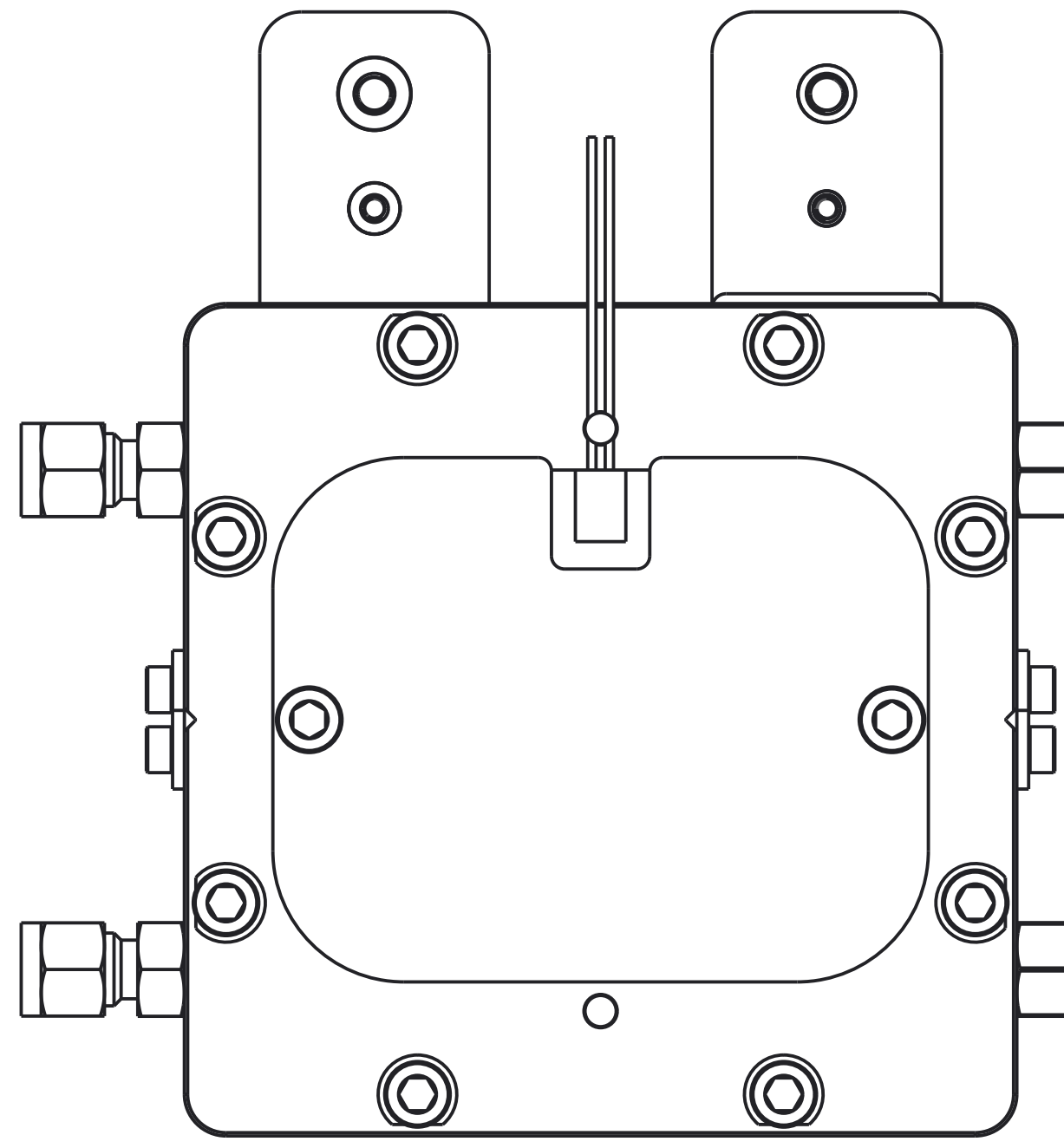
4

3

2

1

REVISION HISTORY			
REV	DESCRIPTION	DATE	BLOCK



SCALE 1.000

Positive Bus Connection

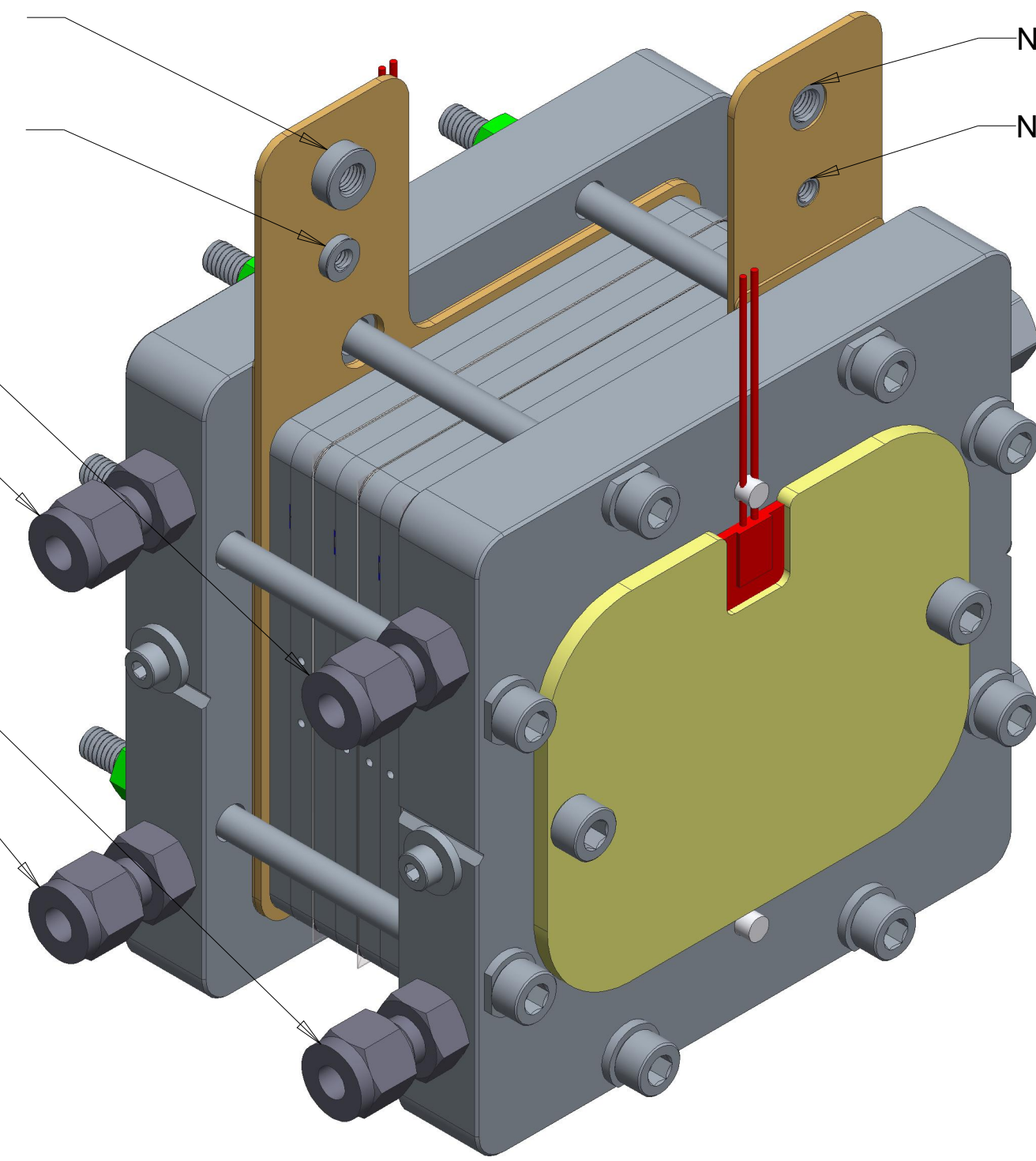
Positive Sense Connection

Anode Inlet

Cathode Inlet

Anode Outlet

Cathode Outlet

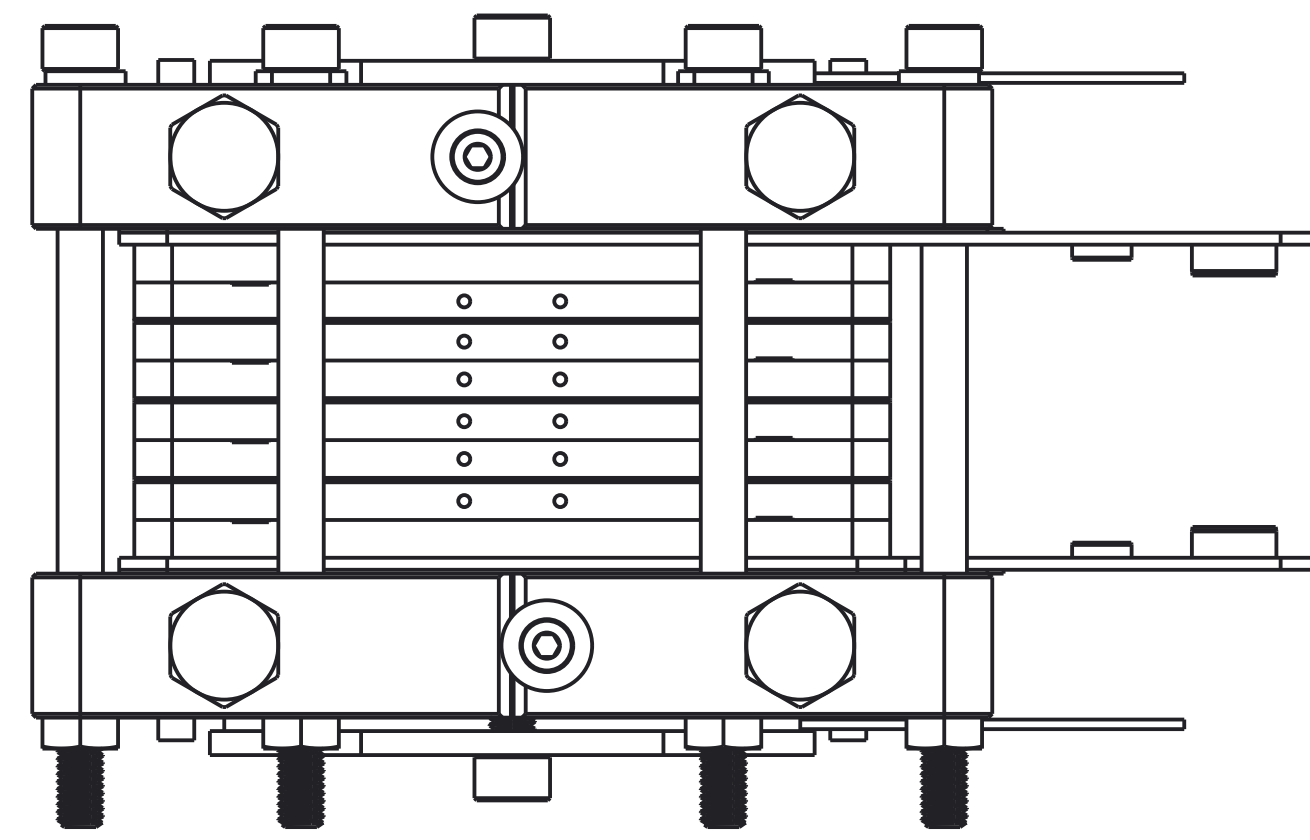
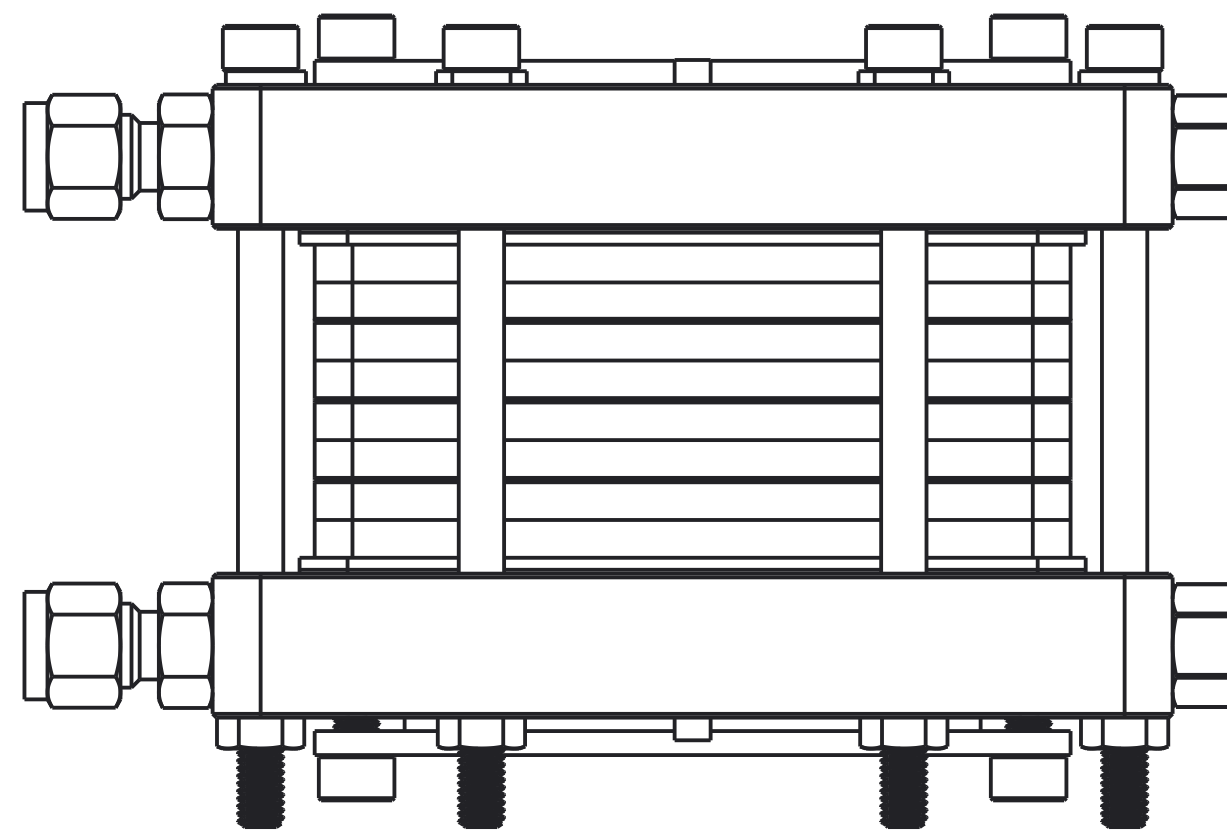


Negative Bus Connection

Negative Sense Connection

SCALE 1.000

3 Cell assembly shown, up to 5 cells can be stacked in this hardware



INSULATION JACKET INCLUDED BUT NOT SHOWN

UNLESS OTHERWISE SPECIFIED DIMENSIONS ARE mm DECIMALS X ± .5 X ± .1 XX ± .05 ANGLES ± .5	Ludlow Electrochemical Hardware 588 Queensbury Ave., Bldg 3 Queensbury, NY 12804 518-368-2371		
	TITLE 50cm2 3 Cell Stack Assembly		
DRAWN BY	SIZE C	PART # 50S-011	REV
DRAWN DATE 9/22/2023	SCALE 1	SHEET 1 OF 2	

4

3

2

1

4

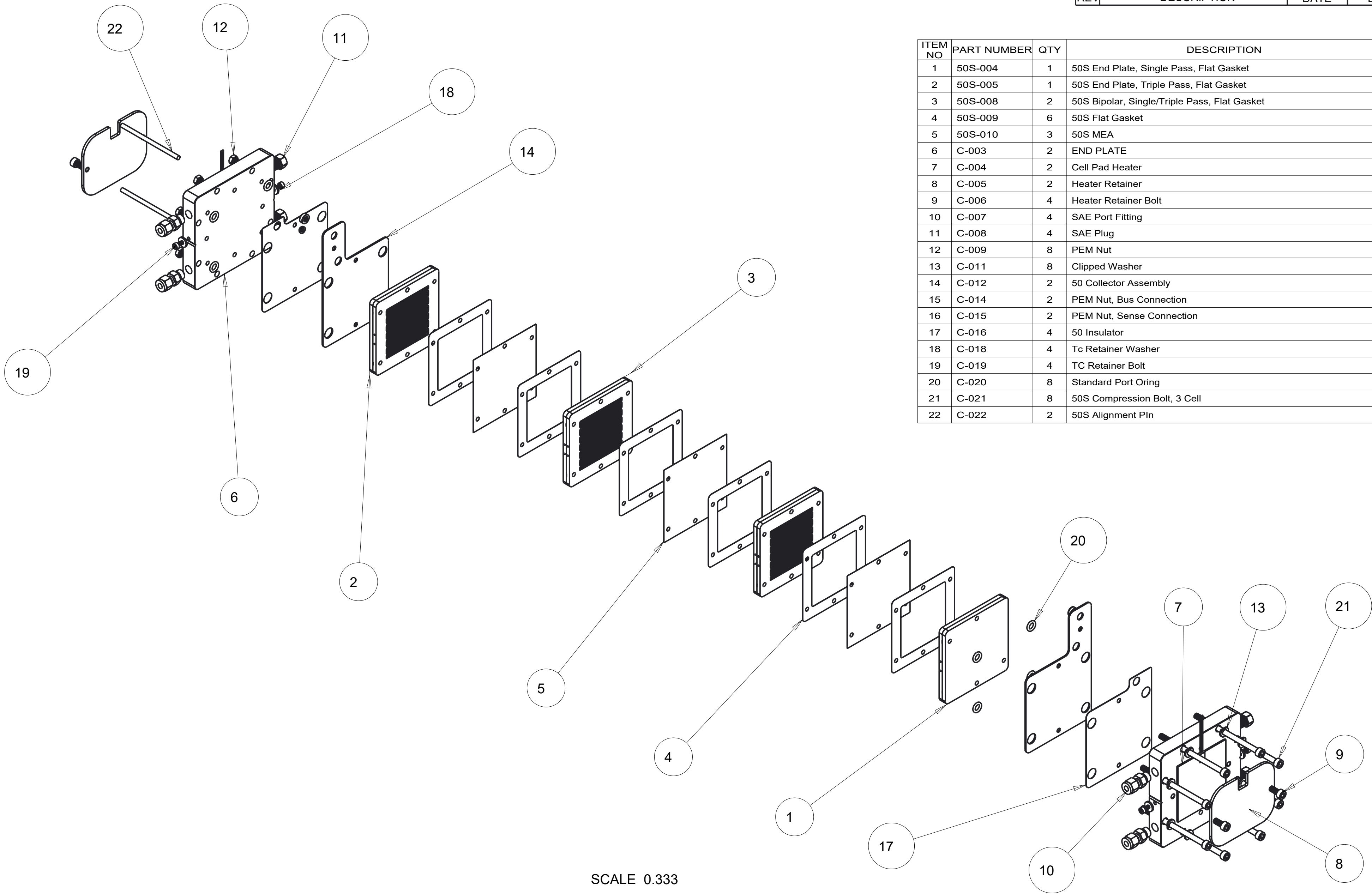
3

2

1

REVISION HISTORY			
REV	DESCRIPTION	DATE	BLOCK

ITEM NO	PART NUMBER	QTY	DESCRIPTION
1	50S-004	1	50S End Plate, Single Pass, Flat Gasket
2	50S-005	1	50S End Plate, Triple Pass, Flat Gasket
3	50S-008	2	50S Bipolar, Single/Triple Pass, Flat Gasket
4	50S-009	6	50S Flat Gasket
5	50S-010	3	50S MEA
6	C-003	2	END PLATE
7	C-004	2	Cell Pad Heater
8	C-005	2	Heater Retainer
9	C-006	4	Heater Retainer Bolt
10	C-007	4	SAE Port Fitting
11	C-008	4	SAE Plug
12	C-009	8	PEM Nut
13	C-011	8	Clipped Washer
14	C-012	2	50 Collector Assembly
15	C-014	2	PEM Nut, Bus Connection
16	C-015	2	PEM Nut, Sense Connection
17	C-016	4	50 Insulator
18	C-018	4	Tc Retainer Washer
19	C-019	4	TC Retainer Bolt
20	C-020	8	Standard Port Oring
21	C-021	8	50S Compression Bolt, 3 Cell
22	C-022	2	50S Alignment Pln



SCALE 0.333

UNLESS OTHERWISE SPECIFIED DIMENSIONS ARE mm DECIMALS X ± .5 XX ± .1 XXX ± .05 ANGLES ± .5	Ludlow Electrochemical Hardware 588 Queensbury Ave., Bldg 3 Queensbury, NY 12804 518-368-2371		
	TITLE 50cm2 3 Cell Stack Assembly		
DRAWN BY	SIZE C	PART # 50S-011	REV
DRAWN DATE 9/22/2023	SCALE 1	SHEET 2 OF 2	

4

3

2

1