

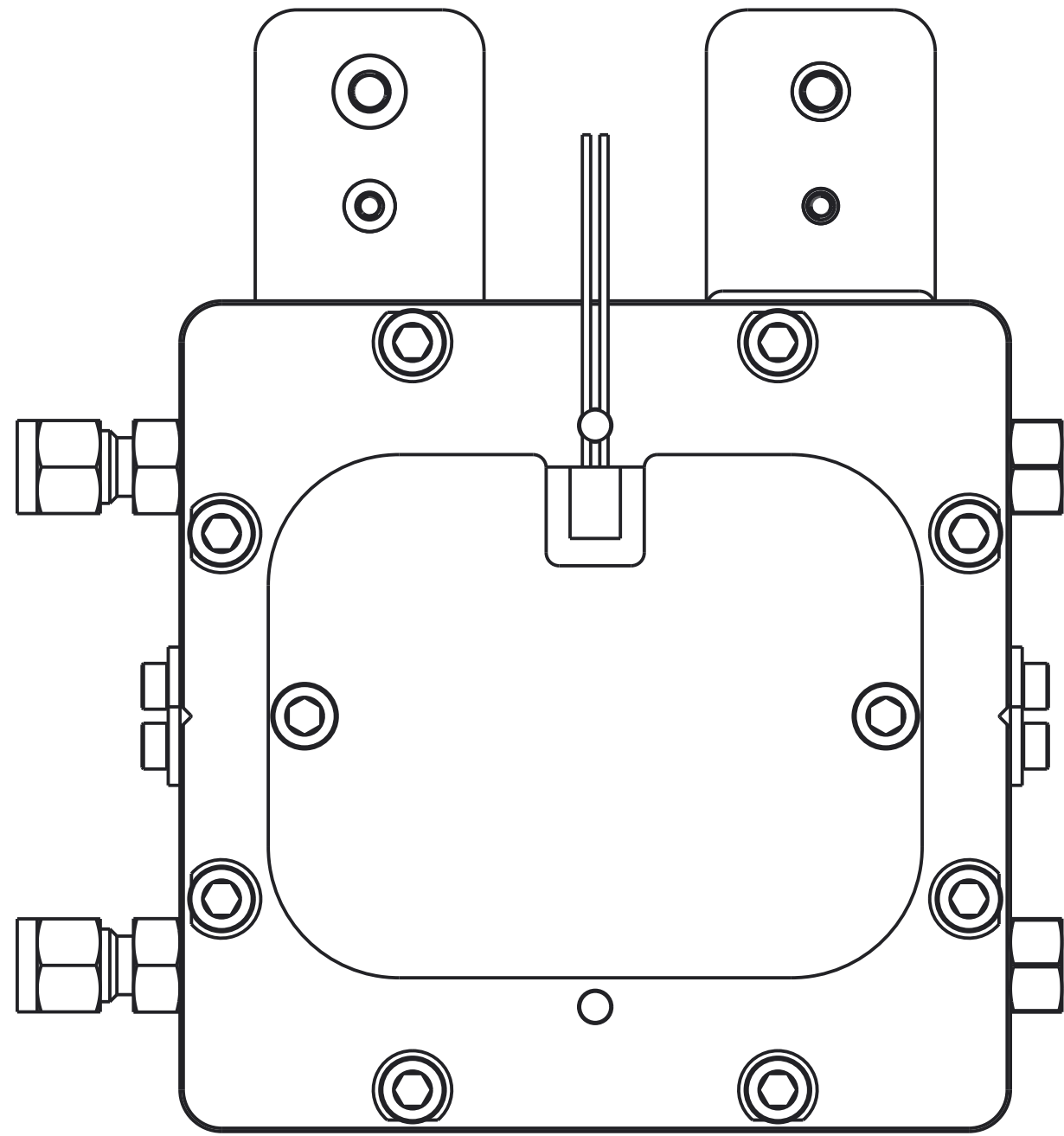
4

3

2

1

REVISION HISTORY			
REV	DESCRIPTION	DATE	BLOCK

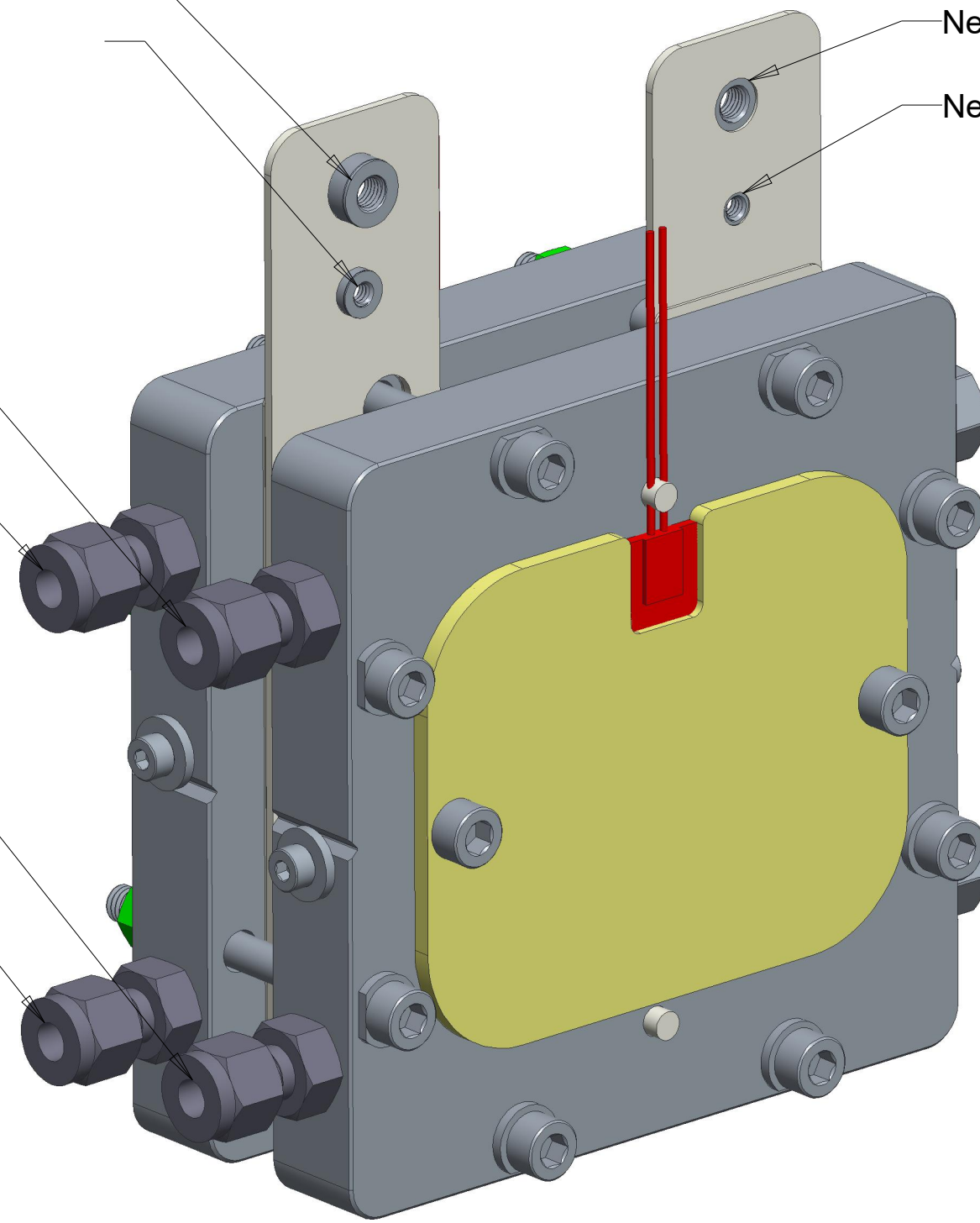


Positive Bus Connection
Positive Sense Connection

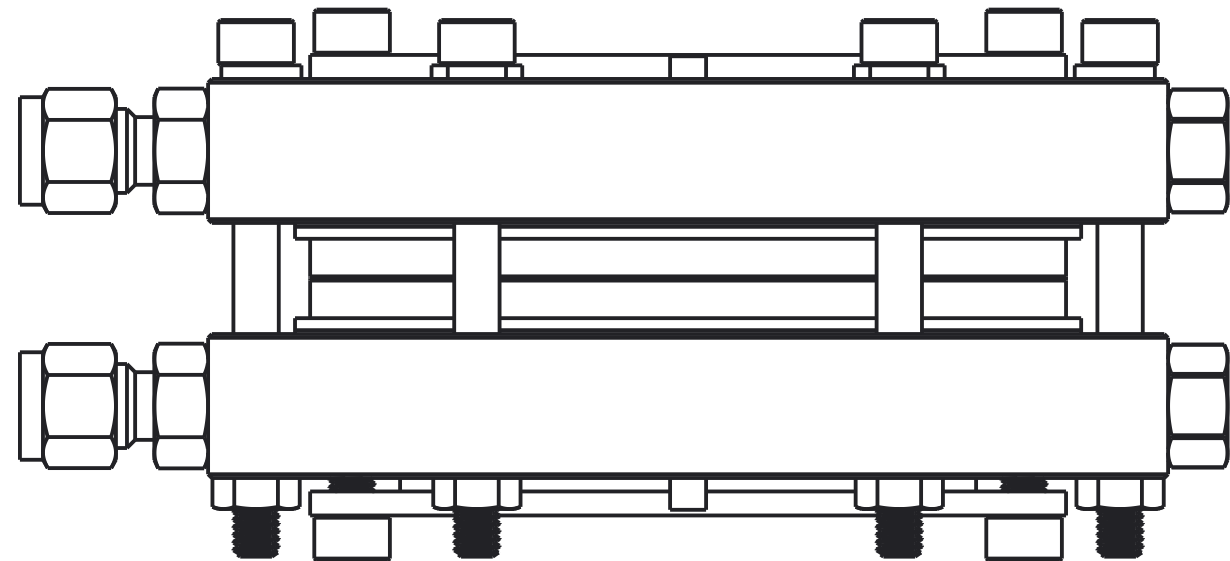
Negative Bus Connection
Negative Sense Connection

Anode Inlet
Cathode Inlet

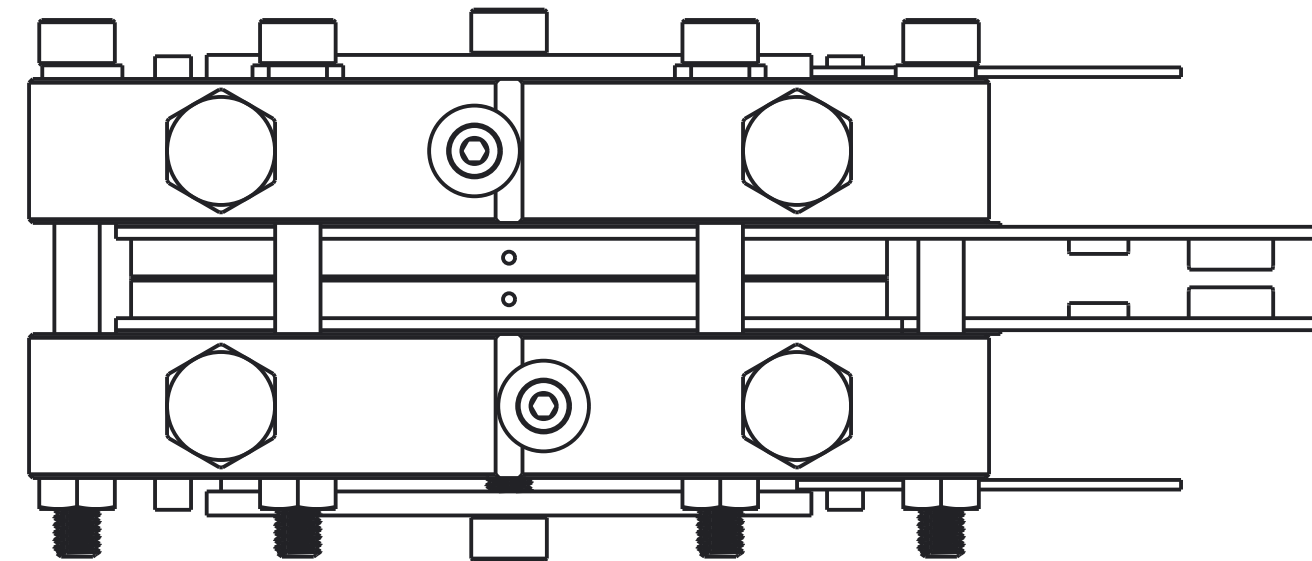
Anode Outlet
Cathode Outlet



SCALE 1.000



SCALE 1.000



INSULATION JACKET INCLUDED BUT NOT SHOWN

UNLESS OTHERWISE SPECIFIED DIMENSIONS ARE mm DECIMALS X ± .5 X ± .1 XX ± .05 ANGLES ± .5	Ludlow Electrochemical Hardware 588 Queensbury Ave., Bldg 3 Queensbury, NY 12804 518-368-2371		
	TITLE 25cm² Cell Hardware		
DRAWN BY	SIZE C	PART # 25-030	REV -
DRAWN DATE 09/20/2023	SCALE 0.500	SHEET 1 OF 2	

4

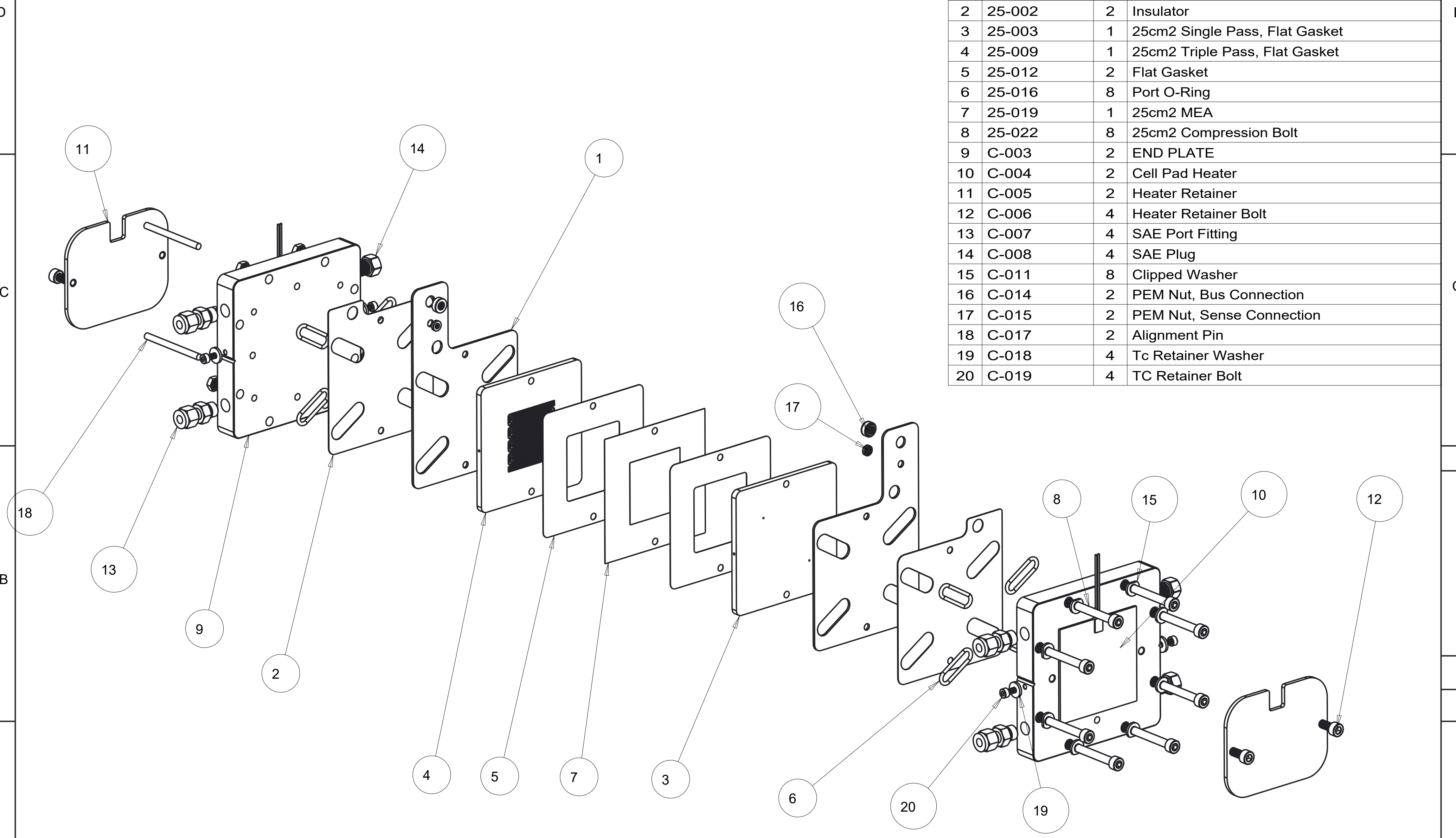
3

2

1

REVISION HISTORY			
REV	DESCRIPTION	DATE	BLOCK

ITEM NO	PART NUMBER	QTY	DESCRIPTION
1	25-001	2	Current Collector
2	25-002	2	Insulator
3	25-003	1	25cm2 Single Pass, Flat Gasket
4	25-009	1	25cm2 Triple Pass, Flat Gasket
5	25-012	2	Flat Gasket
6	25-016	8	Port O-Ring
7	25-019	1	25cm2 MEA
8	25-022	8	25cm2 Compression Bolt
9	C-003	2	END PLATE
10	C-004	2	Cell Pad Heater
11	C-005	2	Heater Retainer
12	C-006	4	Heater Retainer Bolt
13	C-007	4	SAE Port Fitting
14	C-008	4	SAE Plug
15	C-011	8	Clipped Washer
16	C-014	2	PEM Nut, Bus Connection
17	C-015	2	PEM Nut, Sense Connection
18	C-017	2	Alignment Pin
19	C-018	4	Tc Retainer Washer
20	C-019	4	TC Retainer Bolt



SCALE 0.500

INSULATION JACKET INCLUDED BUT NOT SHOWN

UNLESS OTHERWISE SPECIFIED DIMENSIONS ARE mm DECIMALS X ± .5 X ± .1 XX ± .05 ANGLES ± .5	Ludlow Electrochemical Hardware 588 Queensbury Ave., Bldg 3 Queensbury, NY 12804 518-368-2371		
	TITLE 25cm2 Cell Hardware		
DRAWN BY	SIZE C	PART # 25-030	REV -
DRAWN DATE 09/20/2023	SCALE 0.500	SHEET 2 OF 2	